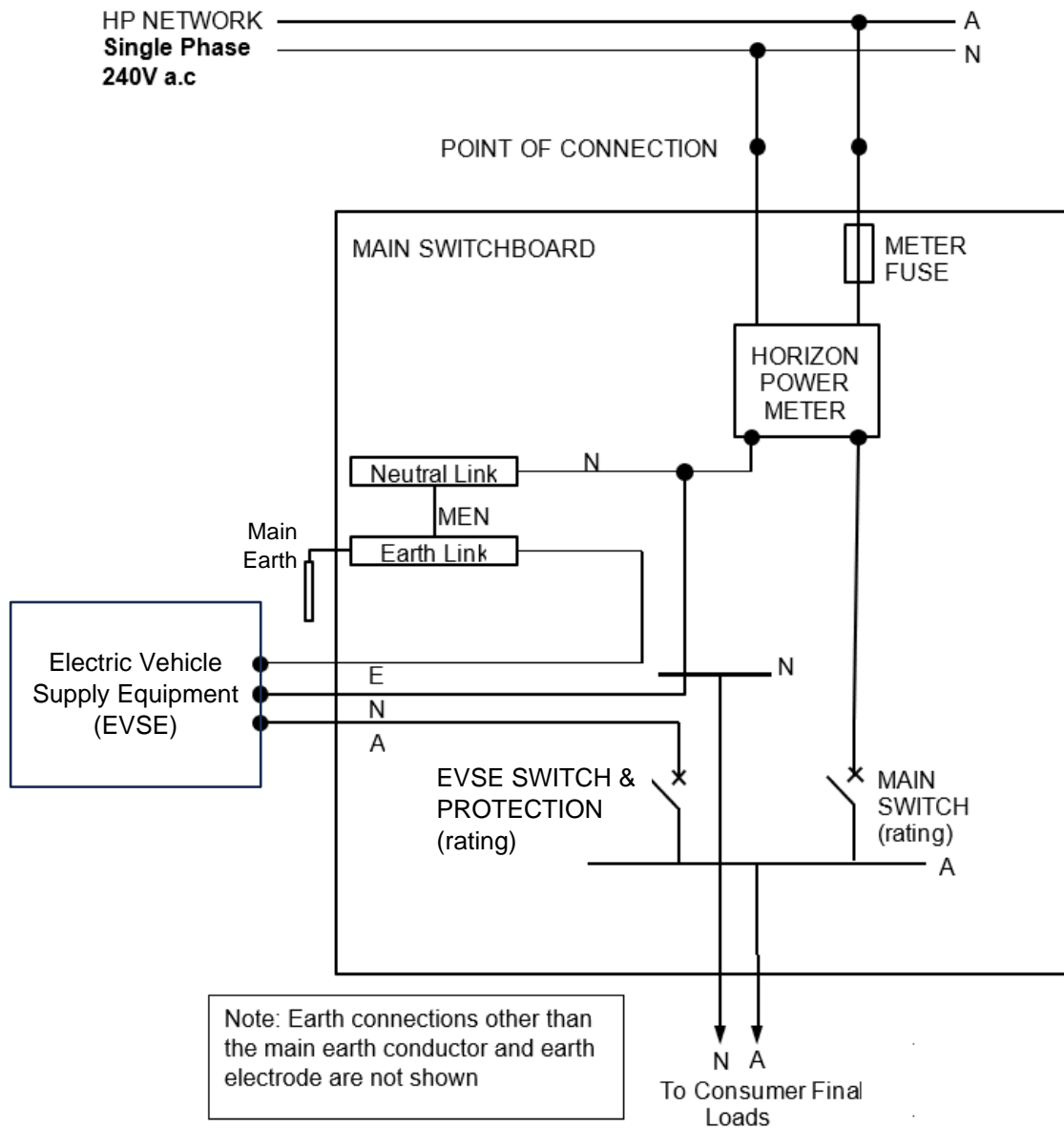


### SAMPLE – SINGLE LINE DRAWING – EVSE CONNECTIONS



Note: For indicative purposes only. Contractors shall provide a single line drawing specific to the proposed installation. For more information refer to the Electric Vehicle Supply Equipment Technical Requirements available at:

[www.horizonpower.com.au/contractors-installers/connect-solar-battery-ev](http://www.horizonpower.com.au/contractors-installers/connect-solar-battery-ev).